

How About Extruded Fish Feed Processing Equipment Production Line

Fish feed processing equipment can produce many materials into high-grade aquatic feed pellets such as fish, cat fish, shrimp, crab, etc. In addition, the final product has a unique shape and good taste. At the same time, it has high nutrition and smooth texture. For fish and shrimp feed, adjusting the degree of extrusion can adjust the floating time in the water. At the same time, China Fish feed processing equipment is perfect for small and good fish farm holders or plant.



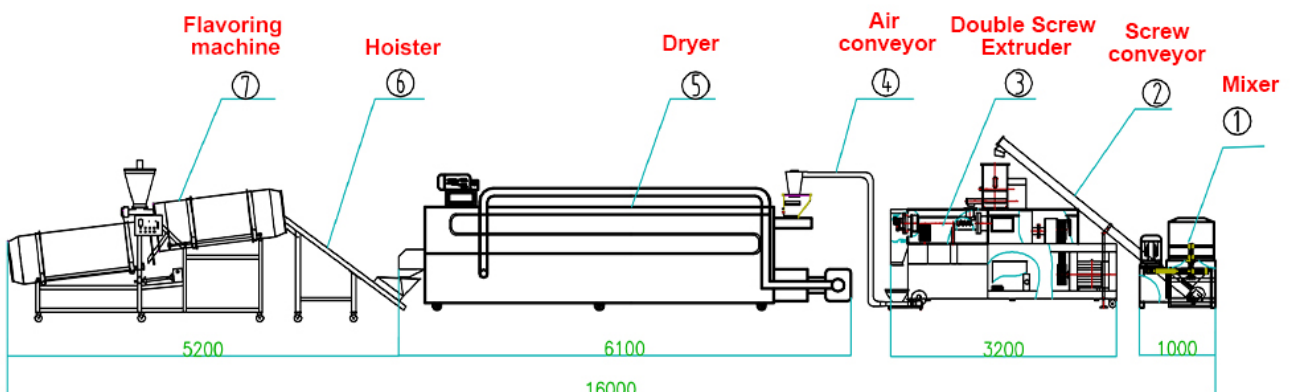
Fish feed processing equipment gives pet food new shapes, unique tastes and colors. Besides, it can meet with other needs of modern market by many good features, such as scientific nutritional. And then, this line can also make the pet food cored filling. At the same time, it will be more

popular with modern pets.



The Flow Chart Of Fish Feed Processing Equipment:

Mixer -Screw conveyor -Twin-screw extruder -Elevator -Dryer- Hoister -Flavoring line -cooling conveyor.



Applications of Fish Food Making Machine

Different raw material and nutrient elements can be added together according to advanced formula. So the final products are tasty and easy to absorb.

